

## Co-Planar Beam Load Cell



### FEATURES

- Capacity range: 7.5 to 150kg
- Only 2.5 to 8mm high
- Very low profile
- Aluminum construction
- IP65 protection
- 1000Ω input impedance
- Provides freedom in rectangular scale size design
- Matched output and current calibration circuitry
- Eliminates need for spyder in typical bench top scales

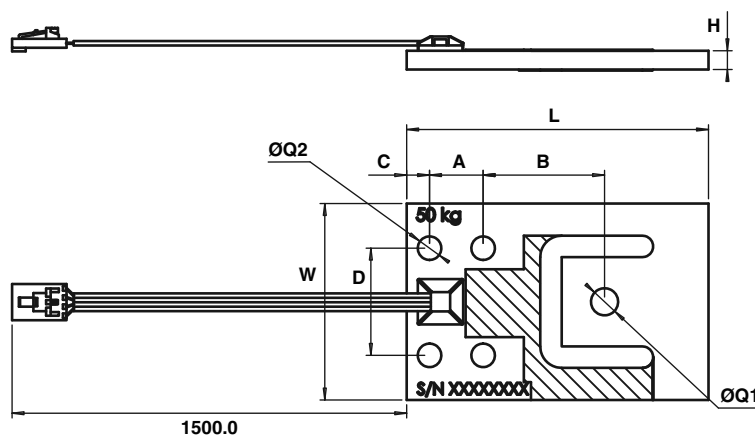
### DESCRIPTION

Model 380 is a very low profile planar beam design, allowing direct mounting in low profile platform scales. The range of capacities and low profile make model 380 most suitable for use in a wide range of applications.

### APPLICATIONS

- Personal scales
- Commonly used in low profile infant and adult medical scales
- Large and medium low profile platform scales
- Airport baggage scales
- Postal scales

### OUTLINE DIMENSIONS in millimeters

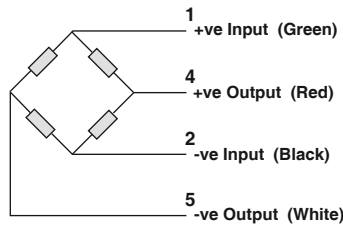


Type	L	A	B	C	D	W	H	Q1	Q2
PB-7.5kg	70	14	28	4.9	27.8	39	2.5	5.1	5.1
PB-37.5kg	76.2	15	29.3	6	30	44.5	4.8	6.2	6.6
PB-50kg	84.5	15	34	6.4	30	55	5.3	7.6	6.6
PB-75kg	84.5	15	34	6.4	30	55	6.4	7.6	6.6
PB-150kg	107.5	22.8	45.9	7.8	44.5	70	8	8.2 OR 5/16UNC	8.1

<b>SPECIFICATIONS</b>				
<b>PARAMETER</b>	<b>VALUE</b>			<b>UNIT</b>
Rated capacity-R.C. ( $E_{max}$ )	7.5, 37.5, 50, 75, 150			kg
VTH Accuracy class	E	G4	H5	
OIML Accuracy class	NA	C3	C4	
Maximum no. of intervals (n)	NA	3000	4000	
$Y = E_{max}/V_{min}^*$	NA	7500*	7500*	
Rated output-R.O.	1.0			mV/V
Rated output tolerance	0.10	0.001		±mV/V
Zero balance	0.10			±mV/V
Creep, 30 min.	0.074	0.024	0.018	±% of load
Zero return, 30 min.	0.05	0.0167	0.0125	±% of load
Temperature effect on output	0.002	0.001	0.00075	±% of load/°C
Temperature effect on zero	0.007	0.00186	0.00186	±% of R.O./°C
Input impedance	1160±15			Ω
Output impedance	1000±10			Ω
Insulation resistance	5000			MΩ
Temperature range, compensated	-10 to +40			°C
Temperature range, safe	-30 to +70			°C
Maximum safe central overload	300			% of R.C.
Ultimate static overload	400			% of R.C.
Safe side load	200			% of R.C.
Cable type	4 conductors, 26AWG, flat, PVC			
Cable length	1.5			m
Color code	+Exc: Green, +Sig: Red, -Exc: blk, -Sig: wht			
Construction	Aluminum, RTV potting			
Environmental protection	IP65			
Outline dimensions drawing	378.000.003			

\* Consult factory for higher Y values availability

**Wiring Schematic Diagram**



The load cell is provided with a 4 conductor ribbon cable and with optional AMP#103957-4 connector

## Disclaimer

All product specifications and data are subject to change without notice.

Vishay Precision Group, Inc., its affiliates, agents, and employees, and all persons acting on its or their behalf (collectively, "Vishay Precision Group"), disclaim any and all liability for any errors, inaccuracies or incompleteness contained herein or in any other disclosure relating to any product.

Vishay Precision Group disclaims any and all liability arising out of the use or application of any product described herein or of any information provided herein to the maximum extent permitted by law. The product specifications do not expand or otherwise modify Vishay Precision Group's terms and conditions of purchase, including but not limited to the warranty expressed therein, which apply to these products.

No license, express or implied, by estoppel or otherwise, to any intellectual property rights is granted by this document or by any conduct of Vishay Precision Group.

The products shown herein are not designed for use in medical, life-saving, or life-sustaining applications unless otherwise expressly indicated. Customers using or selling Vishay Precision Group products not expressly indicated for use in such applications do so entirely at their own risk and agree to fully indemnify Vishay Precision Group for any damages arising or resulting from such use or sale. Please contact authorized Vishay Precision Group personnel to obtain written terms and conditions regarding products designed for such applications.

Product names and markings noted herein may be trademarks of their respective owners.